

Why Foundation Steel?

Foundation Steel brings the highest level of expertise and safety to every job. Our crews receive regular continued education, safety training, and certifications. We partner with you for the success of each and every project.

We Provide:

- NCCCO Certified Operator
- Certified ODOT CDL Driver
- Rigging Available for Rental
- Certified Welders & Ironworkers Available
- Certified Rigger / Signalman Personnel Available
- BWC Drug Free Safety Program (Advanced Level)
- Nights / Weekends Available
- OSHA 30 Compliant



FOUNDATION STEEL

12525 AIRPORT HIGHWAY / PO BOX 210 / SWANTON / OHIO / 43558

PHONE: 419-402-4241 FAX 419-402-4248

WWW.FOUNDATIONSTEEL.COM



FOUNDATION STEEL

Grove RT760E 22350 60 Ton Rough Terrain Crane



Features Include:

- 36'-110' 4 section boom
- 33' - 56' bifold lattice swing away offset jib
- cummins 6.7 tier 3 engine
- Main & Aux winch and hook ball
- 2006 Grove

50128S Manitex 50T Crane



Features Include:

- 50 Ton, Boom Truck Crane
- 26' Flat Bed
- 38' - 128' 4-Section Boom
- 32' - 49' Telescopic Jib
- 2017 Peterbilt

12525 AIRPORT HIGHWAY / PO BOX 210 / SWANTON / OHIO / 43558

PHONE: 419-402-4241 FAX 419-402-4248

WWW.FOUNDATIONSTEEL.COM



FOUNDATION STEEL

Feet	38	40	50	60	70	80	90	100	110
10	120,000	84,000	60,000	42,000	30,000	21,000	15,000	10,500	7,350
12	100,000	70,000	50,000	35,000	25,000	17,500	12,500	8,750	6,125
15	80,000	56,000	40,000	28,000	20,000	14,000	10,000	6,900	4,900
20	60,000	42,000	30,000	21,000	15,000	10,500	7,350	5,175	3,675
25	48,000	33,600	24,000	16,800	12,000	8,400	6,000	4,340	3,140
30	40,000	28,000	20,000	14,000	10,000	7,000	5,000	3,600	2,600
35	34,000	23,800	17,000	11,900	8,500	6,000	4,300	3,100	2,250
40	29,000	20,300	14,500	10,150	7,300	5,100	3,675	2,625	1,900
45	25,000	17,500	12,500	8,750	6,250	4,375	3,125	2,238	1,603
50	21,500	15,150	10,850	7,600	5,450	3,915	2,800	2,000	1,450
55	18,800	13,300	9,450	6,615	4,700	3,325	2,375	1,700	1,238
60	16,500	11,700	8,250	5,775	4,100	2,925	2,075	1,488	1,075
65	14,500	10,350	7,275	5,093	3,625	2,575	1,838	1,325	950
70	12,800	9,120	6,450	4,515	3,225	2,275	1,638	1,175	838
75	11,300	8,025	5,700	3,975	2,850	2,025	1,463	1,038	738
80	10,000	7,000	5,000	3,500	2,500	1,750	1,250	900	650
85	8,800	6,120	4,350	3,075	2,175	1,538	1,075	775	563
90	7,800	5,325	3,825	2,700	1,925	1,375	963	688	493
95	6,900	4,600	3,300	2,375	1,700	1,213	850	600	425
100	6,100	3,950	2,850	2,075	1,500	1,063	738	513	350

Minimum boom angle (°) for indicated length (no load)
 Maximum boom length (ft) at 0° boom angle (no load)
 NOTE: (1) Boom angle (°) is 0°.
 (2) Capacity is based on maximum boom angle.
 (3) This capacity is based on maximum boom angle.
 (4) This capacity is based on maximum boom angle.

Boom angle	15	30	45	60	75	90	105	120
15	21,000	24,000	27,000	30,000	33,000	36,000	39,000	42,000
30	18,000	21,000	24,000	27,000	30,000	33,000	36,000	39,000
45	15,000	18,000	21,000	24,000	27,000	30,000	33,000	36,000
60	12,000	15,000	18,000	21,000	24,000	27,000	30,000	33,000
75	9,000	12,000	15,000	18,000	21,000	24,000	27,000	30,000
90	6,000	9,000	12,000	15,000	18,000	21,000	24,000	27,000
105	3,000	6,000	9,000	12,000	15,000	18,000	21,000	24,000
120	1,500	3,000	4,500	6,000	7,500	9,000	10,500	12,000

NOTE: (1) Reference table in feet.
 (2) Boom length is with inner-mid fully extended and outer-mid & fly fully retracted.
 AG-829-10100

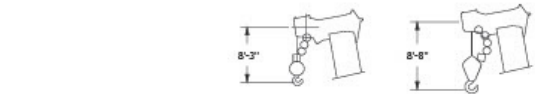
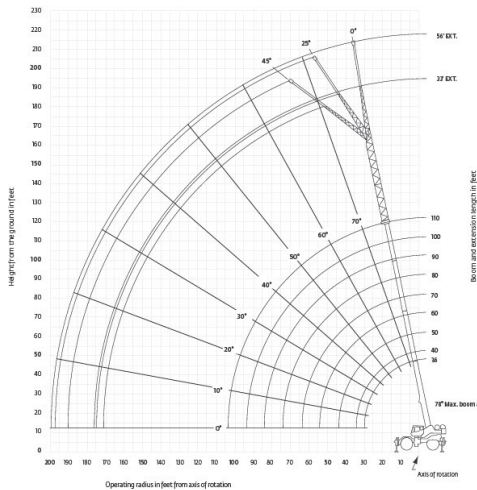
Features Include:

- NCCCO Certified Operator
- Certified ODOT CDL Driver
- Rigging Available for Rental
- Certified Welders & Ironworkers Available
- Certified Rigger / Signalman Personnel Available
- BWC Drug Free Safety Program (Advanced Level)
- Nights / Weekends Available
- OSHA 30 Compliant

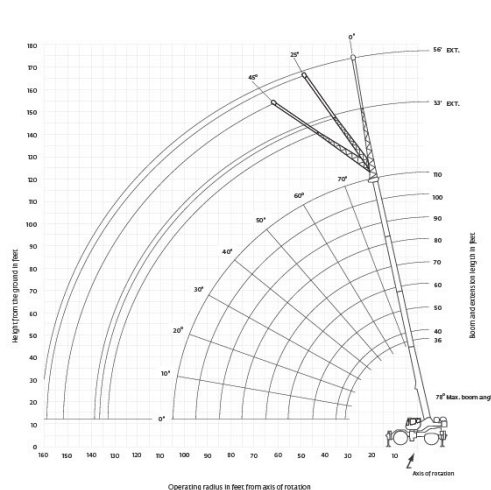
Grove RT760E 22350



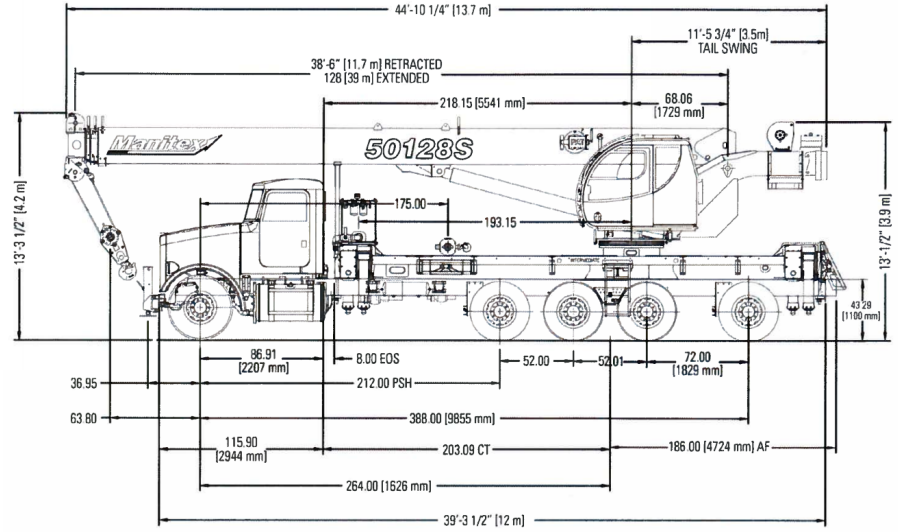
110 ft main boom, bi-fold swingaway and 20 ft and 40 ft inserts



110 ft main boom and 33 ft - 56 ft bi-fold swingaway

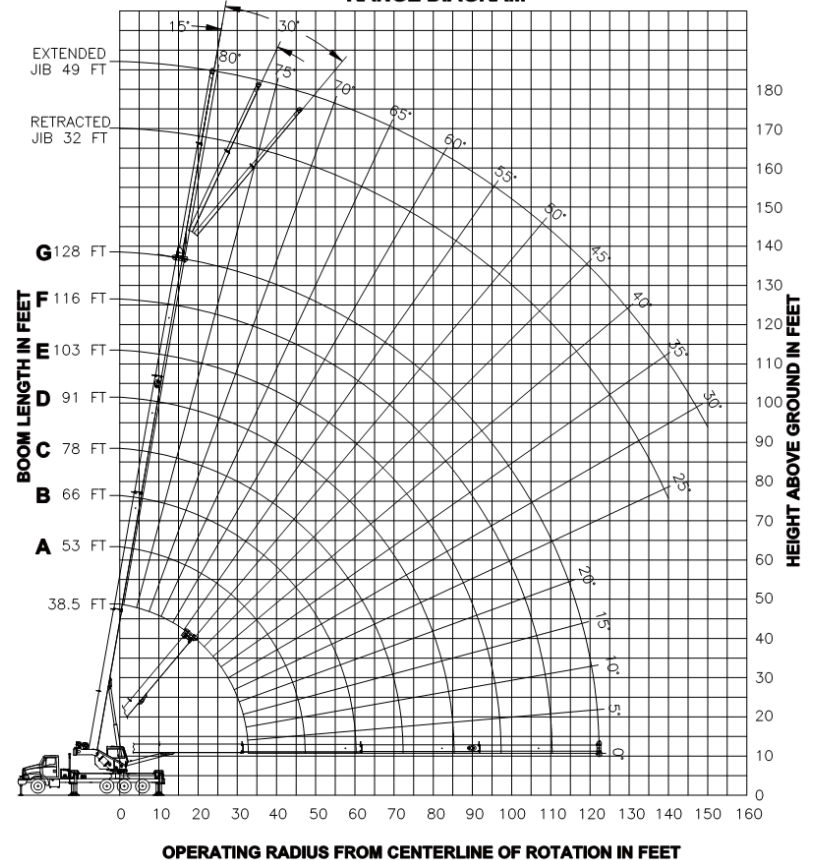


Dimensions are for largest Grove furnished hook block and headache ball, with anti-two block activated.



50128S Manitex 50T Crane

- RANGE DIAGRAM -



12525 AIRPORT HIGHWAY / PO BOX 210 / SWANTON / OHIO / 43558

PHONE: 419-402-4241 FAX 419-402-4248

WWW.FOUNDATIONSTEEL.COM